

aquatica®

*Function, Form & Fashion*



*Lorena-D-120 & Lorena-D-121*

Deck Mounted Bath Fillers

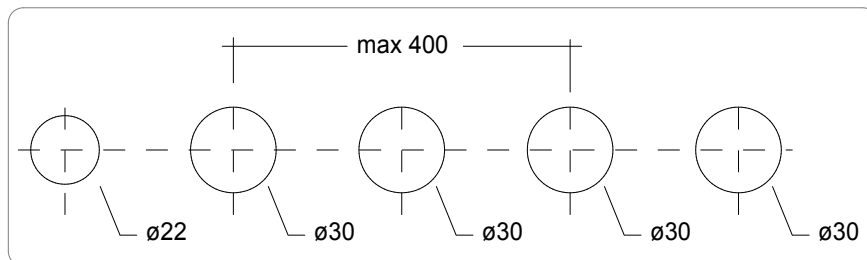
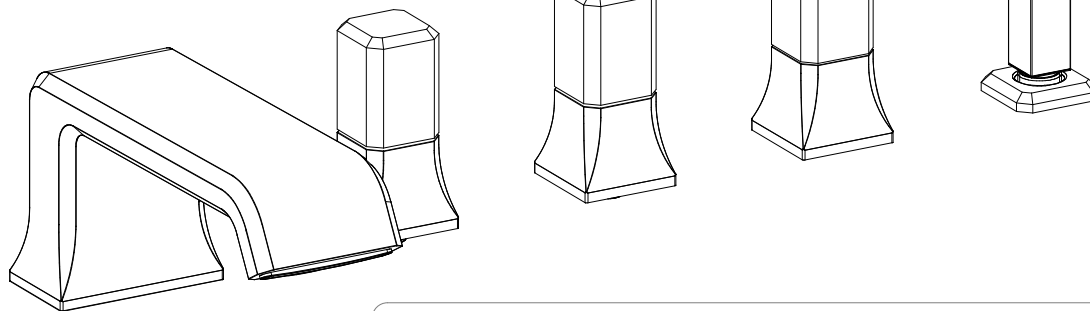
Installation & Care Manual  
Europe / International

# Lorena-D-120 & Lorena-D-121

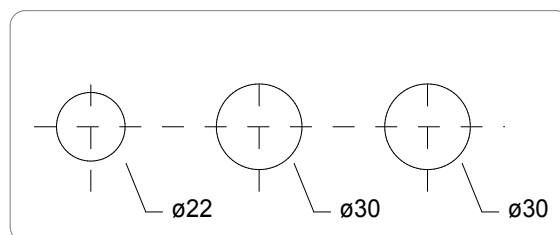
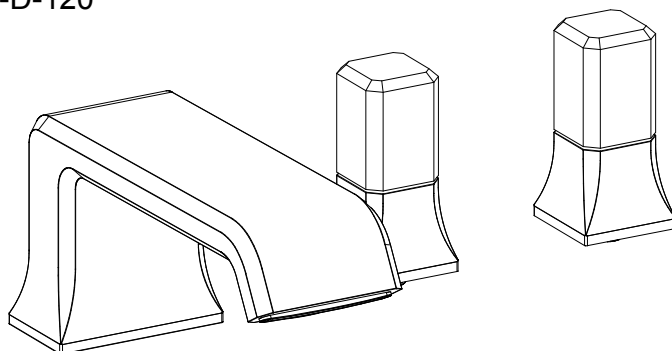
## Deck Mounted Bath Fillers

### PARTS LIST

Lorena-D-121



Lorena-D-120



#### SPECIFICATIONS

Recommended operational pressure .....	1-5 bar
Maximum test pressure .....	16 bar
Maximum hot water temperature .....	70 °C
Recommended temperature .....	50-60 °C
Pressure difference between hot and cold water .....	max. 1,5 bar

#### IMPORTANT NOTE

- Installation to be performed by qualified personnel
- Before connecting to mains, bleed the pipes to avoid damage.



# Lorena-D-120 & Lorena-D-121

Deck Mounted Bath Fillers

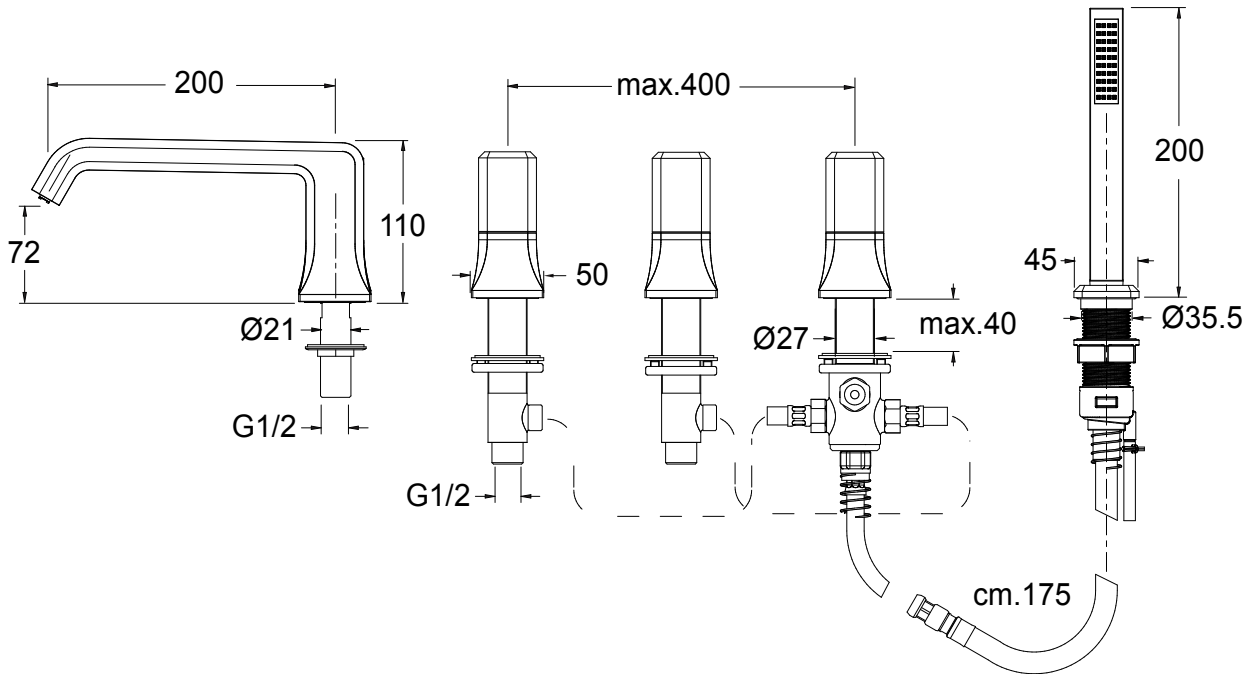
aquatica®

*Function, Form & Fashion*

## PARTS LIST

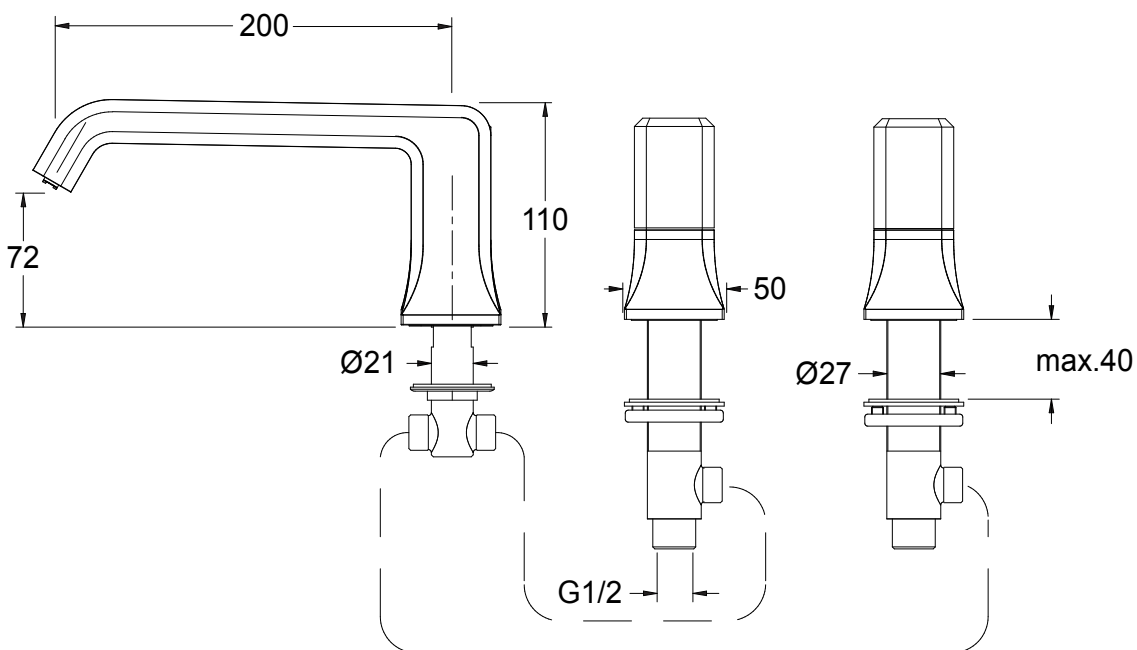
MEASUREMENTS: mm

### Lorena-D-121



MEASUREMENTS: mm

### Lorena-D-120



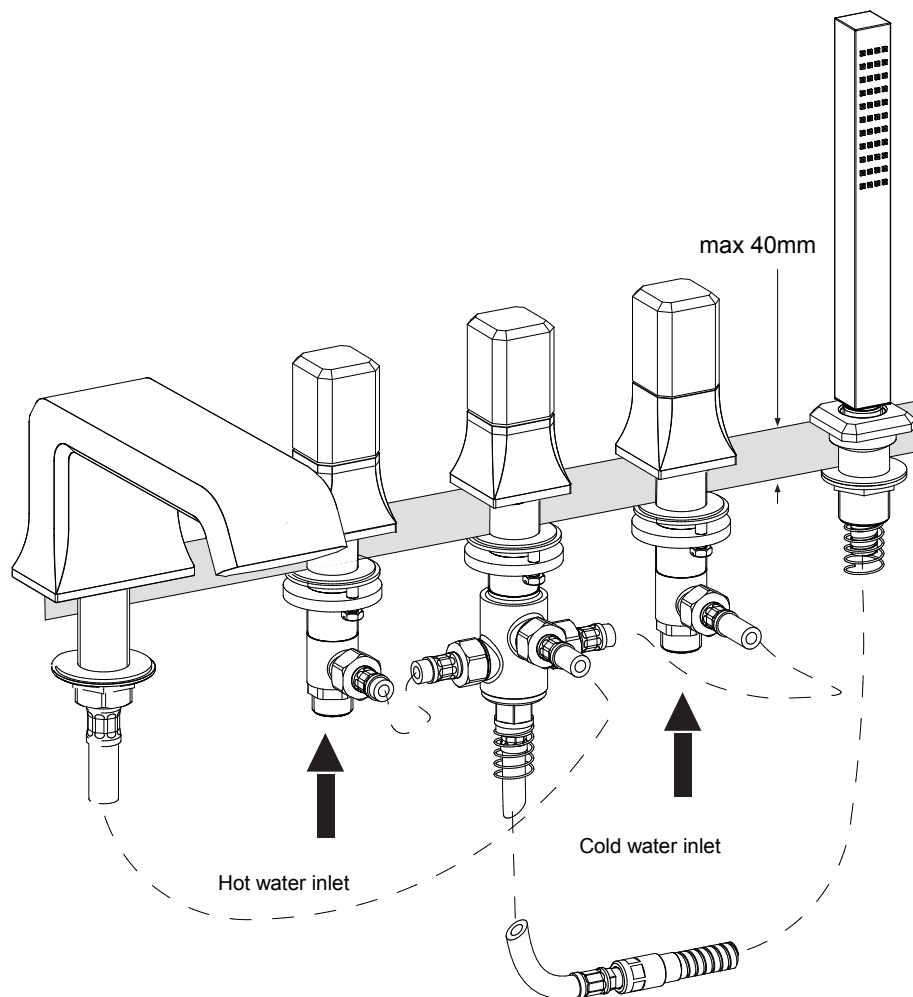
aquatica®  
*Function, Form & Fashion*

# Lorena-D-120 & Lorena-D-121

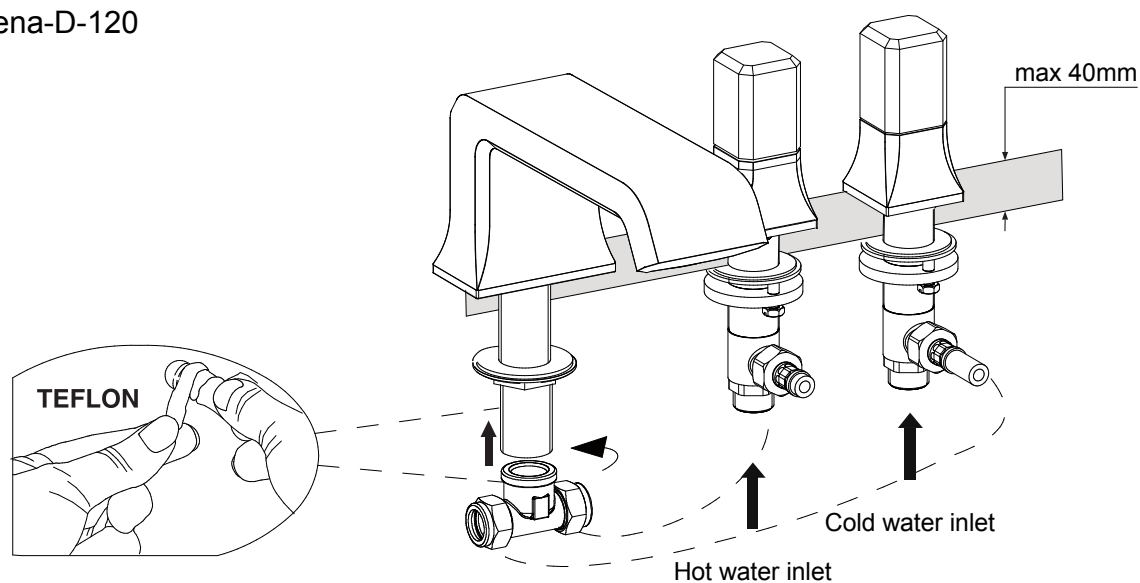
## Deck Mounted Bath Fillers

### INSTALLATION

Lorena-D-121



Lorena-D-120



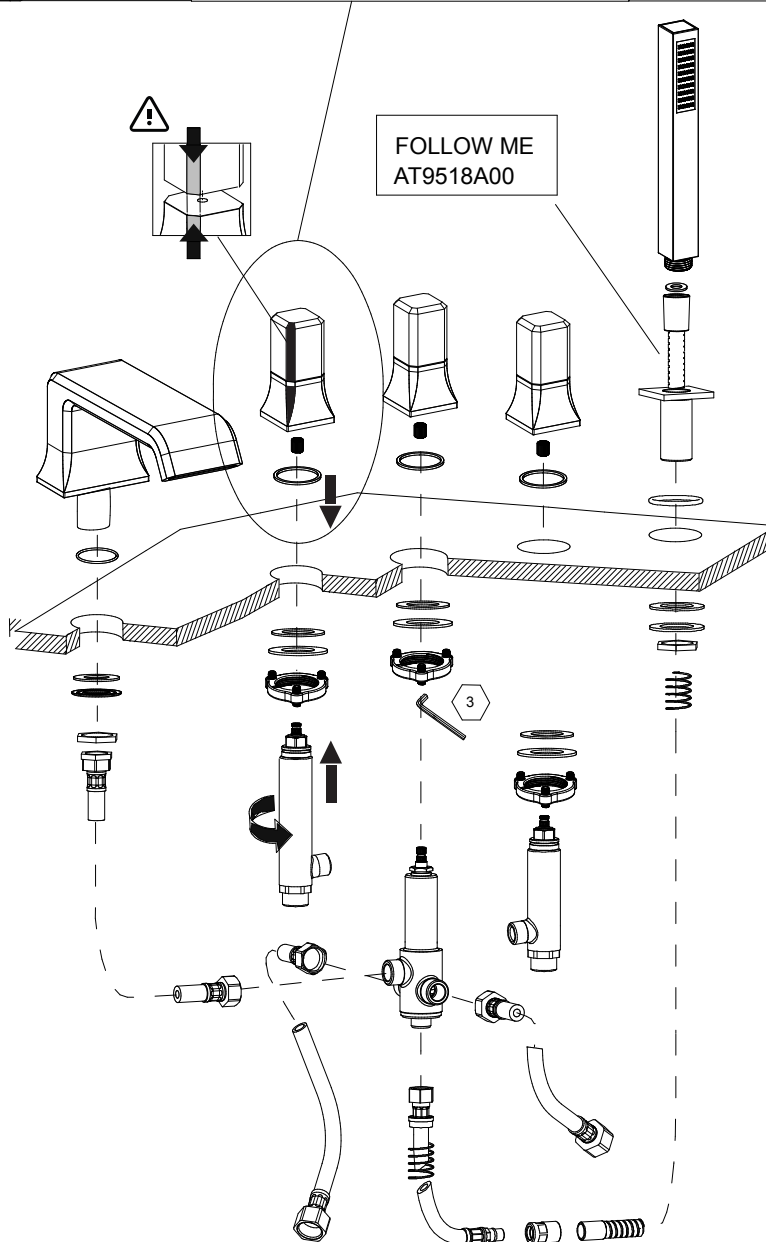
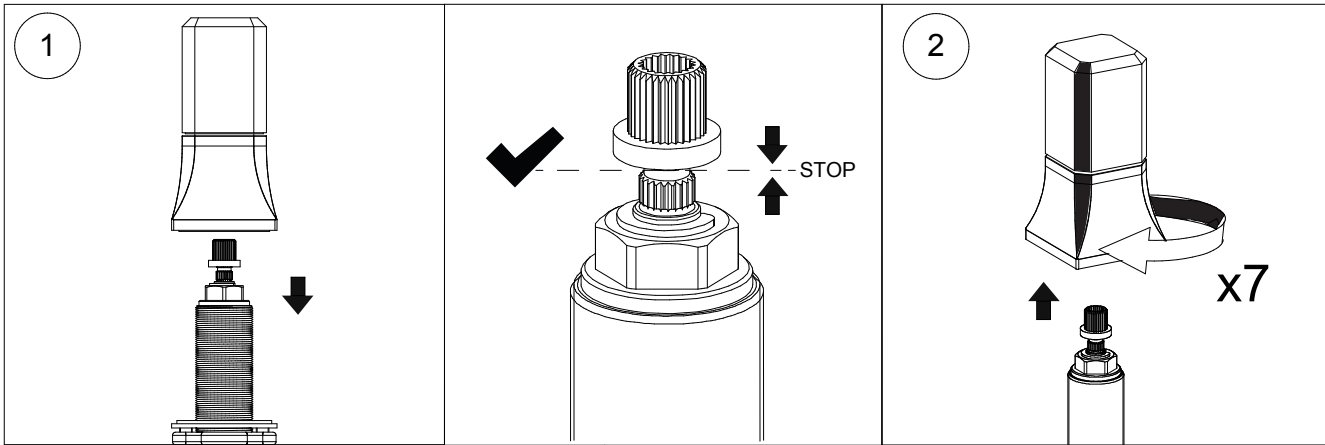
# Lorena-D-120 & Lorena-D-121

## Deck Mounted Bath Fillers

### INSTALLATION

aquatica®

*Function, Form & Fashion*



aquatica®

*Function, Form & Fashion*

# aquatica®

*Function, Form & Fashion*

